



# ACL406B - Direct AC Line LED Driver

## UP TO 6W OUTPUT

ACL406B-AN-V2.3 – MAY 2019

### Application Notes



MATURITY  
In Production

## 1. FEATURES

### ACL406B up to 6W output,

- Direct AC Line LED Driver requiring few external components
- Wide AC Input Range: 50 to 280V AC
- High Power Factor: > 0.98 with optimized LED configuration
- Low harmonic content : THD < 15% (typ.)
- Low quiescent current: 380µA
- High Efficiency: 85% typical
- Ultra-Flexible LED Forward Voltage Configuration,
- Up to 4 LED stages capability,
- Low Flicker : according to applications (need to external components)
- Percentage flicker : 25%
- Flicker index : 10%
- Over Temperature Power derating
- Enable and Analog/PWM dimming functions 0-3.3V
- Embedded 3.3V DC regulator for connected devices (RF component)

## 2. APPLICATIONS

- General Solid State Lighting,
- Medium Power LED Lamp,
- Connected Medium Power Led Lamp,
- Industrial High power LED Lamp.

## 3. DESCRIPTION

The ACL406B is an AC direct LED driver requiring few external components: a diode bridge to rectify the AC voltage and a resistor to tune the LED current.

The LED current can be tuned and switched off thanks to the V<sub>DIM</sub> pin of the ACL406B. The V<sub>DIM</sub> pin supports analog dimming or digital PWM. The ACL406B embeds a linear regulator delivering an output voltage of 3.3V to supply external devices such as low-power RF microcontroller. Multiple ACL406B AC line drivers can be used in parallel to drive high power LED systems for industrial applications.

## 4. PIN CONNECTIONS

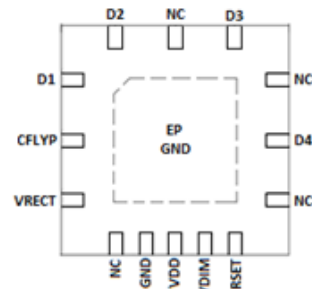


Figure 1: ACL406B QFN5x5 Pinout (TOP VIEW)

## 5. TYPICAL APPLICATION: 230V<sub>AC</sub> BULB

Schematic:

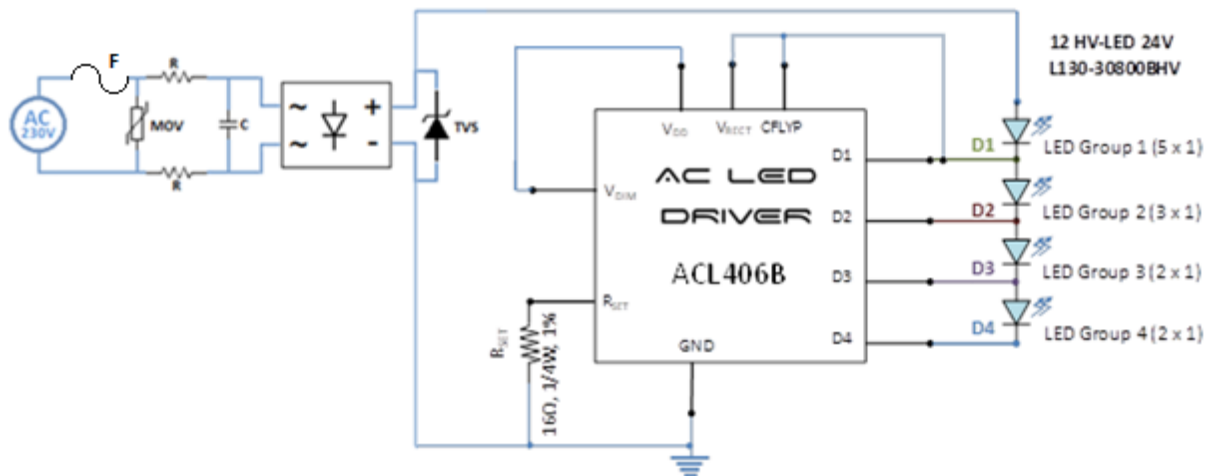


Figure 2: Recommended Low-cost application schematic for 230V<sub>AC</sub>

Options :

1.  $R_{SET} = 31.6 \Omega$ , the light is at 502 Lm with 6 LED. In this design, only 7 components + 6 LEDs on the PCB.
2.  $R_{SET} = 20 \Omega$ , the light is at 696 Lm with 12 LED. In this design, only 7 components + 12 LEDs on the PCB.

Psector	PLED	PLUM	PF	Efficiency	Percentage flicker (%)	Flicker index (%)
7.0 W	6.1 W	720 Lm	0.98	87 %	100 %	33 %

Table 1: Characteristics of the bulb

Calculations of  $I_{LED}$  @25°C for each stage are:

- $I_{D1} = (0.32 * V_{DIM} - 0.34) / (9 + R_{SET})$
- $I_{D2} = (0.32 * V_{DIM} - 0.28) / (9 + R_{SET})$
- $I_{D3} = (0.32 * V_{DIM} - 0.20) / (9 + R_{SET})$
- $I_{D4} = (0.32 * V_{DIM} - 0.03) / (9 + R_{SET})$

The LED current is summarized below:

RSET	Conditions	$I_{D1}$	$I_{D2}$	$I_{D3}$	$I_{D4}$
16 $\Omega$	@25°C - $V_{DIM} = V_{DD}$	29.2 mA	31.6 mA	34.8 mA	41.6 mA

Table 2: LED currents

## 6. TYPICAL APPLICATION: LIGHT EXAMPLE WITH TWO ACL406B UP TO 900 LUMENS

Schematic:

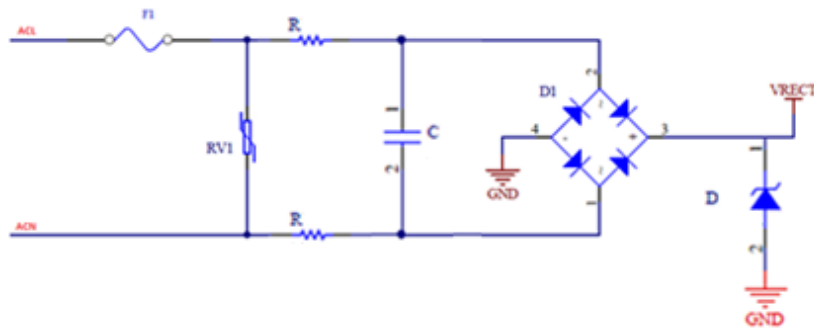


Figure 3: ACL406B AC line in.

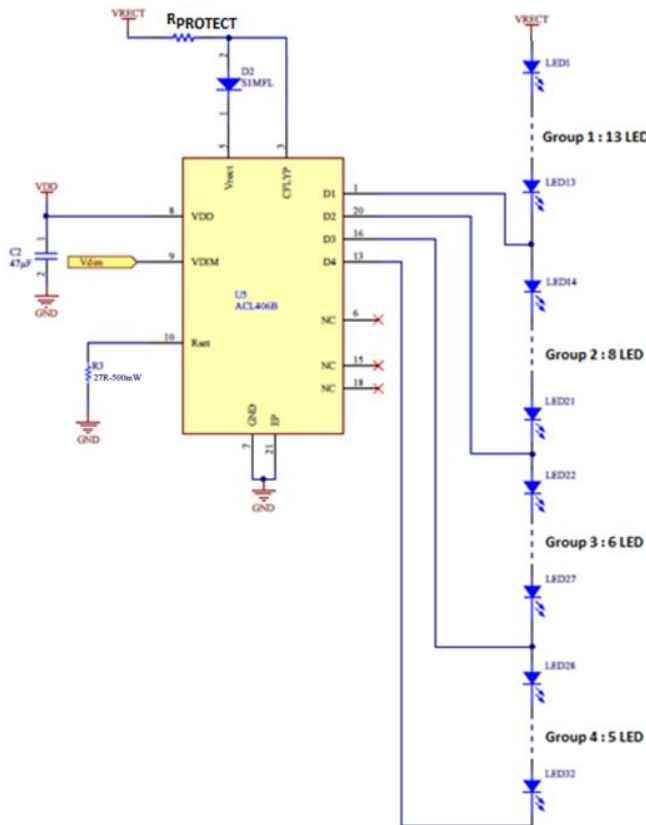


Figure 4: ACL406B #1 controlled by the RF IC on VDIM and 32 LED

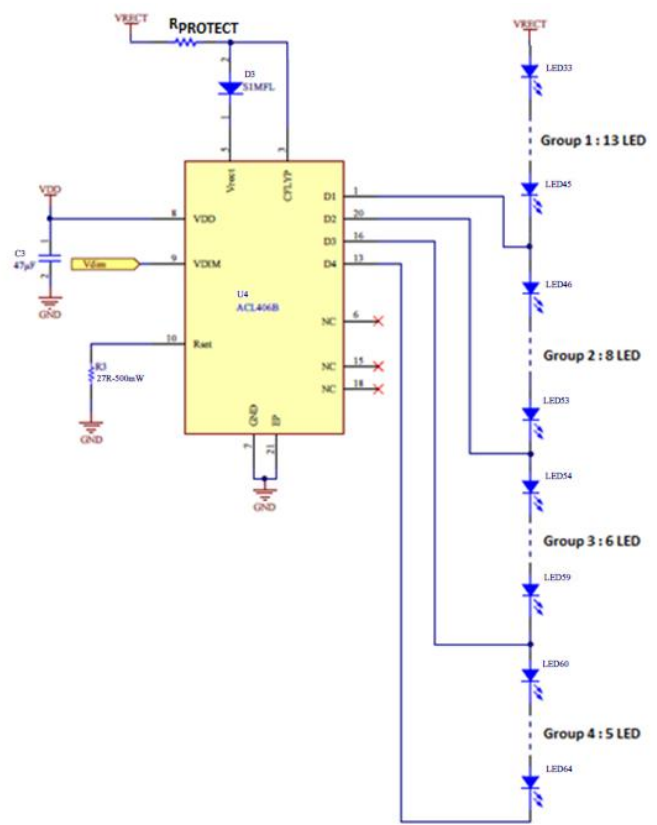


Figure 5: ACL406B #2 controlled by the RF IC on VDIM and 32 LED

The RF microcontroller can control the light with only 1 GPIO connected to the two VDIM on each ACL406B. In this application, it's only a RF switch ON-OFF. With a PWM on VDIM, it's possible to control the intensity of the light (need to add a RC filter). Motion sensor could be used to control VDIM input to switch on/off automatically the light.

For each ACL406B:

R <sub>SET</sub>	ID <sub>1</sub>	ID <sub>2</sub>	ID <sub>3</sub>	ID <sub>4</sub>	VDD	I <sub>VDD</sub>
27 Ω	19.3 mA	21.0 mA	23.2 mA	27.9 mA	3.3 V	2.0 mA
P <sub>CORE</sub>	P <sub>SWITCH1</sub>	P <sub>SWITCH2</sub>	P <sub>SWITCH3</sub>	P <sub>SWITCH4</sub>	P <sub>REGULATOR</sub>	P <sub>IC_TOTAL</sub>
0.07 W	0.14 W	0.11 W	0.13 W	0.16 W	0.45 W	1.07 W
Percentage FLICKER	FLICKER INDEX	Light Flux	Power LED			
100 %	32.8 %	465 lm	4.06 W			

Table 3: Electrical characteristics for one ACL406B

For this design with two ACL406B:

P <sub>SECT</sub>	I <sub>SECT</sub>	PF	EFF.	Light Flux	Light Power Σ P <sub>LED</sub>
10.16 W	44.9 mA	0.98	79.9 %	900 lm	8.12 W
VDD	I <sub>VDD</sub>				
3.3 V	4.0 mA				

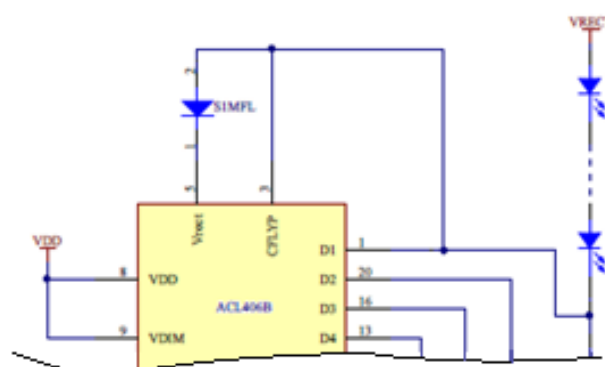
Table 4: Electrical characteristics for the bulb

**BOM:**

Item	QTY	Designator	Description
1	2	C2, C3	Capacitor Ceramic 47µF - 6.3V - X5R - 0805
2	1	C	Capacitor MLCC – 450V - X7T - 20% - 1210
3	1	D1	Bridge Rectifier MB6S - 500mA 600V SMD TO-269AA
4	1	D	DIODE TVS - 376V - 602V
5	2	D2, D3	1 Amp Rectifier 1000 V
6	1	F1	FUSE SMD - 250mA – Slow - 250VAC
7	64	LED1 to LED64	LED – White 4000K - VF=9.4V, IF=60mA, 113Lm/W, 0.5W
8	2	R	Resistor SMD 5% 1.5W 250V
9	2	R6, R9	Resistor SMD 27 OHM 1% 1/2W 0805
10	2	R <sub>PROTECT</sub>	Resistor 1k SMD
11	1	RV1	Varistor 275Vac 8.6 joules
12	2	U5, U4	Direct AC Line LED Driver ACL406B

Table 5: BOM for the bulb

**Remark:** to change this design without microcontroller, on each ACL406B the pin VDIM are connected with the pin VDD, the pin VRECT and the pin CFLYP are connected like this example:



### IMPORTANT NOTICE AND DISCLAIMER

EASii IC PROVIDES TECHNICAL AND RELIABILITY DATA (INCLUDING DATASHEETS), DESIGN RESOURCES (INCLUDING REFERENCE DESIGNS), APPLICATION OR OTHER DESIGN ADVICE, WEB TOOLS, SAFETY INFORMATION, AND OTHER RESOURCES “AS IS” AND WITH ALL FAULTS, AND DISCLAIMS ALL WARRANTIES, EXPRESS AND IMPLIED, INCLUDING WITHOUT LIMITATION ANY IMPLIED WARRANTIES OF MERCHANTABILITY, FITNESS FOR A PARTICULAR PURPOSE OR NON-INFRINGEMENT OF THIRD-PARTY INTELLECTUAL PROPERTY RIGHTS.

These resources are intended for skilled developers designing with EASii IC products. You are solely responsible for (1) selecting the appropriate EASii IC products for your application, (2) designing, validating and testing your application, and (3) ensuring your application meets applicable standards, and any other safety, security, or other requirements. These resources are subject to change without notice. EASii IC grants you permission to use these resources only for development of an application that uses the EASii IC products described in the resource. Other reproduction and display of these resources are prohibited. No license is granted to any other EASii IC intellectual property right or to any third-party intellectual property right. EASii IC disclaims responsibility for, and you will fully indemnify EASii IC and its representatives against, any claims, damages, costs, losses, and liabilities arising out of your use of these resources. EASii IC’s products are provided subject to EASii IC’s Terms of Sale ([www.easii-ic.com/en/legal/termsofsale.php](http://www.easii-ic.com/en/legal/termsofsale.php)) or other applicable terms available either on [www.easii-ic.com](http://www.easii-ic.com) or provided in conjunction with such EASii IC products. EASii IC’s provision of these resources does not expand or otherwise alter EASii IC’s applicable warranties or warranty disclaimers for EASii IC products.



EASii IC France: 90, Avenue Leon Blum 38100 Grenoble – France

Copyright © 2019 EASii IC

✉ : [sales-IC@easii-ic.com](mailto:sales-IC@easii-ic.com)

<http://www.easii-ic.com>